

Microcomputer Power, Inc.

2272 Calle de Luna, Santa Clara, CA 95050

(408) 988-0285

TWX 910 338-7884



APPLICATION DATA INCLUDING:

1. SCHEMATIC
2. PARTS LIST
3. SPECIFICATION
4. OUTLINE & MOUNTING DRAWING

MODEL

CP140

FIXED-DISK SERIES

SPECIFICATIONS:

AC INPUT: 115/230VAC $\pm 10\%$
47-63Hz

DC OUTPUT:

VOLTAGE	CURRENT (AMPS)
5	8.0
24	2.5(4.0)Pk
12	1.2
-12	0.5
-5	3.0

LINE REGULATION: $\pm 0.05\%$ FOR A 10%
LINE CHANGE

LOAD REGULATION: $\pm 0.05\%$ FOR A 50%
LOAD CHANGE

OUTPUT RIPPLE: 3mV Pk-Pk MAX

TRANSIENT RESPONSE: 30 μ SECONDS
FOR A 50% LOAD CHANGE

OVERLOAD AND SHORT CIRCUIT PROTECTION:
AUTOMATIC CURRENT LIMIT/
FOLDBACK

OVER-VOLTAGE PROTECTION: SET AT 6.2
 ± 4 VDC ON ± 5 V OUTPUT ONLY

STABILITY: $\pm 0.3\%$ FOR 24HRS AFTER WARM-UP

INPUT FUSING: RECOMMENDED, FUSE AT
6A FOR 115VAC, 3A FOR 230VAC

TEMPERATURE COEFFICIENT: $\pm 0.03\%/^{\circ}\text{C}$ MAX

COOLING: UNITS ARE FULL RATED TO 50 $^{\circ}\text{C}$
IN FREE AIR, MUST BE FAN
COOLED WHEN MOUNTED IN CON-
FINED AREA

TEMPERATURE RATING:
0-50 $^{\circ}\text{C}$ - 100%
60 $^{\circ}\text{C}$ - 60%
70 $^{\circ}\text{C}$ - 40%

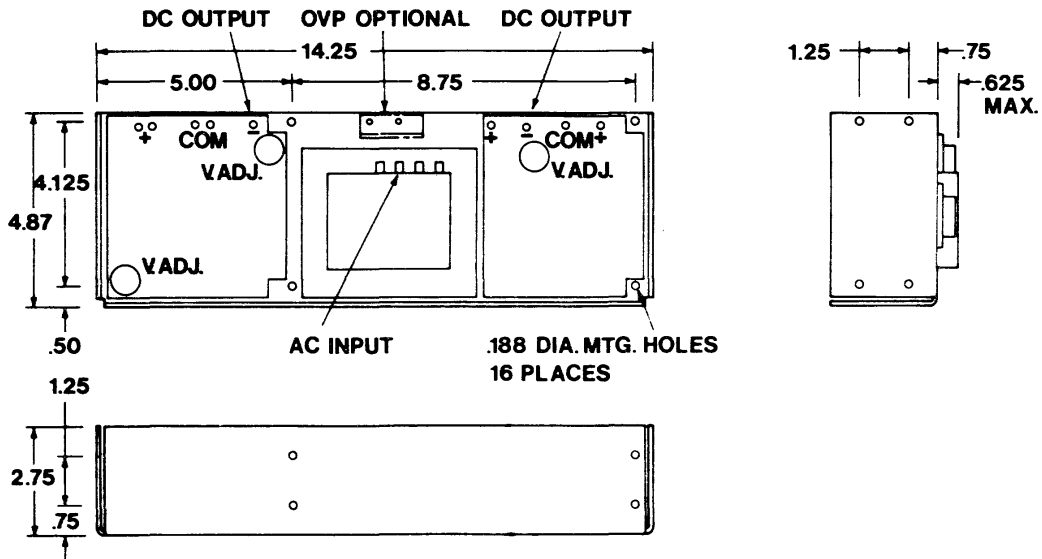
EFFICIENCY: COMBINED EFFICIENCY

APPROX. 55% @ 115VAC FULL

LOAD ON ALL OUTPUTS

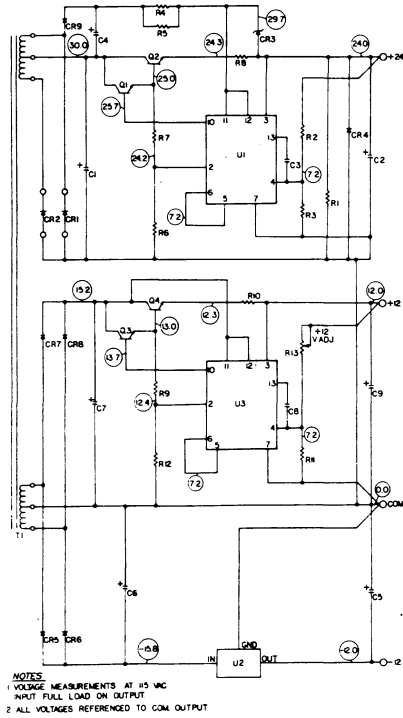
CONSTRUCTION: ALL ALUMINUM CHASSIS

WEIGHT: 11LBS (5.0KG)



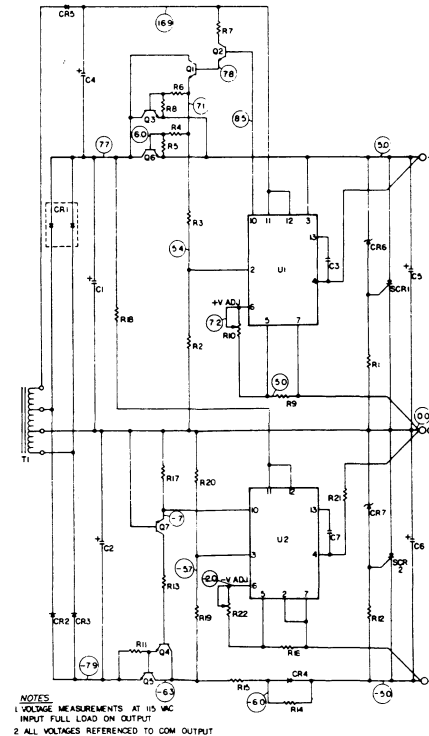
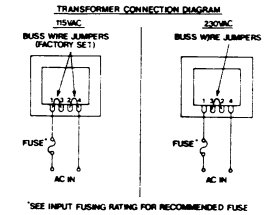
ASSEMBLY DWG, CP140 POWER SUPPLY

REF. DES.	CP139	CP140	DESCRIPTION
C1	4700/50V	4700/50V	
C2	330/35V	330/35V	
C4	47/50V	47/50V	
C5,9	100/25V	100/25V	
C6	470/35V	470/35V	
C7	2200/35V	2200/35V	
C1,8	.001/100V	.001/100V	
CR1,2	MR751	MR751	
CR4-6,9	AE1C	AE1C	
CR7,8	AE3B	AE3B	
CR3	1N752A	1N752A	
R1,11	1.1K	1.1K	
R2	1.8K	1.8K	
R3	750	750	
R4-6	10K	10K	
R7,9	330	330	
R12	4.7K	4.7K	
RB	.12	.12	
R10	.22	.22	
R13	1500	1500	
Q1	TIP31A	TIP31A	
Q2,4	2N3055	2N3055	
Q3	2N219A	2N219A	
U1,3	UA723C	UA723C	
U2	LM320T-12	LM320T-12	
T1	10357	10358	
P.C.B.	10354	10354	
CHASSIS	10088	10089	



SCHMATIC DWG, CP140 POWER SUPPLY (1 OF 2)

REF. DES.	CP140	CP141	DESCRIPTION
C2	8800/15V	8800/15V	
CA,6	220/16V	220/15V	
C3	1000/16V	1000/16V	
C3,7	.005/100V	.005/100V	
CR2,3,4	AE3B	AE3B	
CR3	AE1C	AE1C	
CR6	1N752A	1N752A	
CR7	1N753A	1N753A	
RL7,12	47	47	
R4,20	2.2K	2.2K	
R3	750	750	
RA,6	3.9	3.9	
RS,8,18	6.8	6.8	
R9,11,16	1.5K	1.5K	
R13	150	150	
R16	2.7	2.7	
R17,19	330	330	
R21	1.1K	1.1K	
R10,22	1500	1500	
R15	.22	.22	
SCR1	S0308LS3	S0308LS3	
SCR2	S0301LS3	S0301LS3	
Q1,4	TIP31A	TIP31A	
Q2	2N219A	2N219A	
Q3	2N2905	2N2905	
U1,2	UA723C	UA723C	
T1	10358	10359	
P.C.B.	10352	10352	
CHASSIS	10089	10090	
Q3,5,6	2N3055	2N3055	
CR1	R711	R711	



SCHMATIC DWG, CP140 POWER SUPPLY (2 OF 2)